



GUANGDONG ORION INTELLIGENT EQUIPMENT LIMITED

广东奇力智能设备有限公司



GUANGDONG ORION INTELLIGENT EQUIPMENT LIMITED

广东奇力智能设备有限公司

Factory ADD: Baihuadong Industrial Zone, Dalingshan Town, Dongguan City,  
Guangdong Province, China

工厂地址：广东省东莞市大岭山镇百花洞工业区

Service Hotline: +86-400-801-8665

Mobile: +86-13424131725

Contact: Jasmine Zhao

WhatsApp: +86-13424131725

E-mail: [jasminezhao@orionrack.com](mailto:jasminezhao@orionrack.com)

[jasminezhao888@foxmail.com](mailto:jasminezhao888@foxmail.com)

Website: <https://www.orionrack.com>



仓储设备  
Storage Equipment

Web: <https://www.orionrack.com>

中国·广东



Website



WhatsApp



Sales Wechat

## 企业简介 ORION >>>

### ENTERPRISE BRIEF INTRODUCTION

Founded in 2003, GUANGDONG ORION INTELLIGENT EQUIPMENT LIMITED is a leading global manufacturer and solution provider of warehouse storage racks and intelligent storage systems. Integrating R&D, design, intelligent manufacturing, sales and service, we are committed to providing reliable support for global customers to improve their warehousing and logistics efficiency, backed by large-scale production bases, advanced manufacturing processes and rigorous quality management systems.



### Professional R&D & Customized Solutions



Our R&D and technical support team, led by 100+ senior engineers, focuses on warehousing technology innovation and iteration. We offer a full range of warehouse racks and equipment, as well as tailored scenario solutions to help customers achieve organized storage, maximized space utilization and streamlined operations.

<b>55,000 m<sup>2</sup></b>	<b>100,000 tons</b>	<b>20 +</b>	<b>4 sets</b>
Factory area	Annual productivity	Rolling production lines	Fully automatic powder coating lines

### Globally Proven & Trustworthy



Our successful projects are widely recognized across the globe. We have delivered thousands of warehousing projects to enterprises worldwide, accumulating extensive experience in cross-border cooperation and services. As a partner with strong production capacity and reliable services, we are committed to creating measurable, sustainable long-term operational value for customers.



### 广东奇力智能设备有限公司

创立于2003年。二十余载，我们以“守正创新”为根基，以“笃行致远”为步伐，已成为全球仓储货架与智能设备系统领域集研发、设计、智造、销售与全球服务于一体的系统方案提供商。凭借扎实的智造实力与融入血脉的中国智慧，我们为全球仓储物流的效率跃升提供系统化支撑。

我们深信“器以载道，物尽其用”。

公司以人才为引擎、以技术为羽翼，汇聚100余位高级工程师，组成专业研发与售后团队，持续推动仓储技术迭代与突破。已成功开发移动式货架、穿梭式货架、阁楼货架、模具架、工具车、工作台等全系列产品，并支持深度场景定制，助力客户实现存储有序化、空间最大化、运营精益化。

实力，源于规模与专注。

我们在55,000m<sup>2</sup>现代化生产基地中，布局20+轧制生产线与4套全自动粉末喷涂线，具备年产10万吨的稳定供应能力。从原材料严选到成品出厂，全程实施严苛品控，确保每一套设备都承载着“中国质量”的坚定承诺。

信任，来自全球信赖项目的持续验证。

我们已成功为全球大中型企业交付数千个仓储项目，积累了丰富的跨国服务经验。作为业界产能领先、服务稳健的合作伙伴，我们始终以为客户创造可持续的运营价值为根本使命。

未来，奇力将持续聚焦智能仓储与物流自动化，加大研发与智造投入。秉持“创新、品质、服务”的核心理念，我们矢志成为全球仓储领域最值得信赖的合作伙伴，以智能系统推动行业进化——承载中国智造，服务世界仓储。

## INNOVATION, QUALITY, SERVICE

### 创新、品质、服务

## 我们的团队 OUR TEAM >>>

• With excellent technology and a serious attitude in every project , we provide high-quality products and the best service to all of our customers. What we pursue is not only honor, but also customer recognition.

• 我们以过硬的技术，认真的态度抓好每一项工程项目，为我们的新老客户提供优质的产品和服务！我们追求的不仅仅是荣誉，更是客户的认可。



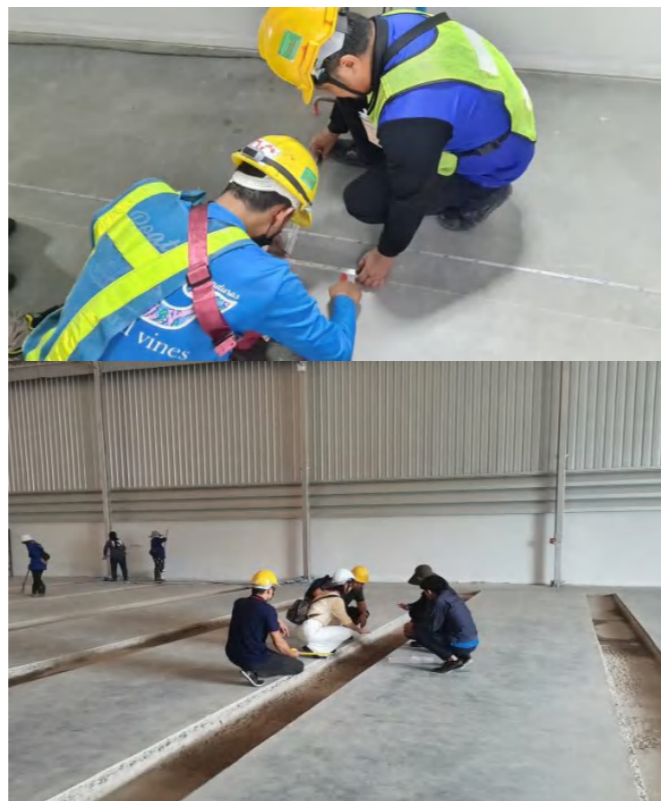
Product Symposium  
产品研讨会



Symposium  
研讨会



Professional loading container team  
专业装柜团队



Installation site survey  
安装现场勘测

## PRODUCTION EQUIPMENT 生产设备

• 20+Years Industry Experience, Professional Manufacturer.

• 20+年行业经验，专业生产厂家。



Raw material zone  
原料间



Automatic cold roll forming line  
全自动冷轧成型线



Bending machine  
折弯机



Row welding machine  
排焊机



Pickling treatment  
酸洗



Painting line  
喷涂线

# 目录/CONTENTS

## Storage Equipment 仓储设备

### Station Equipment 工位器具

07 Tool Cabinet  
工具柜

11 Tool Trolley  
工具车

15 Workbench  
工作台

19 Storage Cabinet  
置物柜

21 Material Sorting Rack  
物料整理架

23 Steel File Cabinet  
钢制文件柜

### Logistics Equipment 物流器具

25 Wire Mesh Storage Cage  
仓储笼

27 Steel Material Container  
钢制料箱

29 Folding Logistics Trolley  
折叠式物流周转车

31 Stacking Frame  
堆垛架

34 Accessory Box  
零件盒

35 Turnover Box  
周转箱

37 Plastic Pallet  
塑料托盘

39 Steel Pallet  
钢托盘

41 Wooden Pallet  
木托盘

### Transport Equipment 搬运设备

43 Trolley  
手推车

45 Manuel Pallet Truck  
手动搬运车

46 Semi-Electric Stacker  
半电动堆高车

47 Electric Stacker  
电动堆高车

53 Forklift  
叉车

## OUR CUSTOMERS

◎ 合作客户



HITACHI



Minebea



Das Auto.



Audi



HONDA



MITSUBISHI MOTORS

Haier



GREE 格力



Midea

TOSHIBA  
Leading Innovation >>>



TCL

SIEMENS



CHERY

CATERPILLAR



Unilever

TOYO DENKI



AirAsia

FOXCONN  
富士康科技集团

Shibaura  
Machine

Shibaura  
Machine

FLEXTRONICS

FLEXTRONICS

CASIO

CASIO



蒙牛

## Station Equipment 工位器具

## TOOL CABINET

## ◎ 工具柜

## Product Features:

- The drawers and cabinets are made of 1.2mm cold-rolled steel, which is treated with phosphate and coated with electrostatic powder baking paint to achieve anti-rust effect.
- High-strength double guide rail drawer, with a maximum load-bearing capacity 200kgs per drawer, which can be opened by 90%-100%.
- Drawer space can be divided by partition plates.
- Full-width aluminum alloy handles with replaceable labels, elegant and practical.
- Drawer safety buckle design prevents accidental sliding out after closing.
- Advanced central lock for one-key opening and closing of all drawers.
- A variety of cabinets and drawers can be combined freely to meet different needs.
- Cabinet bases are equipped with foot pads to protect the cabinet and facilitate handling.



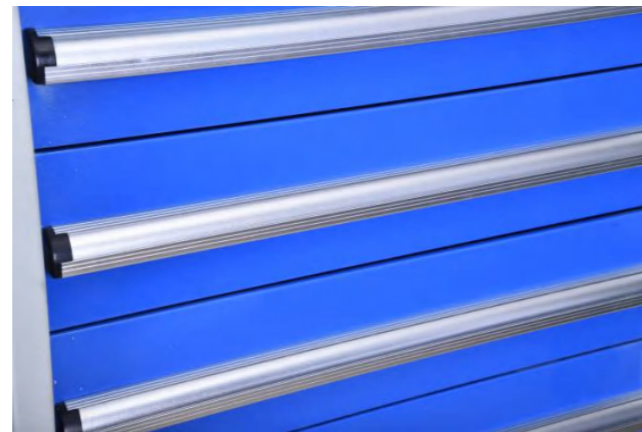
Central lock  
中央锁



Partition plate  
抽屉分割



Double guide rail drawer  
双导轨抽屉



Aluminum alloy handle  
铝合金把手

## 产品特性:

- 抽屉及箱体均采用1.2mm冷轧钢板，经磷酸盐处理后，外加静电粉体烤漆，防锈耐用。
- 高强度双导轨抽屉，单抽最大承重达200kgs，可90%-100%打开。
- 抽屉内部可自由分隔储物空间。
- 全宽型铝合金把手，搭配可更换标签，美观实用。
- 抽屉配备安全扣，防止意外滑出。
- 先进中央锁具，实现一键管控所有抽屉。
- 多种规格的柜体及抽屉可自由组合，适配多样需求。
- 柜体底部加装脚垫，既保护柜体，又方便搬运。



Station Equipment 工位器具

TOOL CABINET

◎ 工具柜

Tool Cabinet Standard Size Sheet  
工具柜常规尺寸表

Name 名称	Specifications(mm) 参数(mm)			Drawer QTY/pcs 抽屉数量	Drawer's Load Capacity/KGS 抽屉承载	Remarks 备注
	Width 宽度	Depth 深度	Height 高度 (Including the height of the feet)			
Tool Cabinet 工具柜	600	545	585/665/745/825	4/4/5/5	90/150	1.Material: high quality cold-rolled steel Q235B (SS400); 2.Surface treatment: deoil, derusting and powder coating finish; 3.Color: standard blue, orange and customized available.  1、材质：优质冷轧钢板 Q235B(SS400); 2、表面处理：除油、除锈、静电喷塑; 3、颜色：蓝色、橙色，其他颜色可定制。
	600	545	825/1105/1305	6/7/8	90/150	
	760	705	585/665/745/825	3/4/5/5	90/150	
	760	705	825/1105/1305	6/7/8	90/150	
	760	545	585/665/745/825	4/4/5/5	90/150	
	760	545	825/1105/1305	6/7/8	90/150	
	1000	545	585/665/745/825	3/4/5/5	90/150	
	1000	545	825/1105/1305	6/7/9	90/150	
	1000	705	585/665/745/825	4/4/5/5	90/150	
	1000	705	825/1105/1305	6/7/8	90/150	



## Station Equipment 工位器具

## TOOL TROLLEY

## ◎ 工具车

## Product Features:

- Sturdy casters can withstand impact of uneven ground.
- High-strength double-rail drawers with a maximum load capacity of 150kg, which can be opened 90%-100%.
- Drawer space can be divided with partition plates.
- Full-width aluminum alloy handles with replaceable labels, elegant and practical.
- Drawer safety buckle design prevents accidental sliding out after closing.
- Advanced central lock allows one-key opening and closing of all drawers.
- Universal wheels with brakes for safety and stability.
- The top is covered with 2.0mm thick black rubber.

## 产品特性:

- 坚固的脚轮能经受不平整场地的冲击。
- 高强度双导轨抽屉，最大承重达150kg，可完全拉出90%-100%。
- 抽屉内可随意分隔空间。
- 全宽型铝合金把手，配合可更换的标签，美观实用。
- 抽屉安全扣设计，关闭后防止意外滑出。
- 高级中央锁，一键开启 / 关闭所有抽屉。
- 带刹车的万向轮，安全稳固。
- 顶部铺2.0mm厚黑色橡胶。

Drawer  
抽屉Hanging board  
挂板Central lock  
中央锁Aluminum alloy handle  
铝合金把手

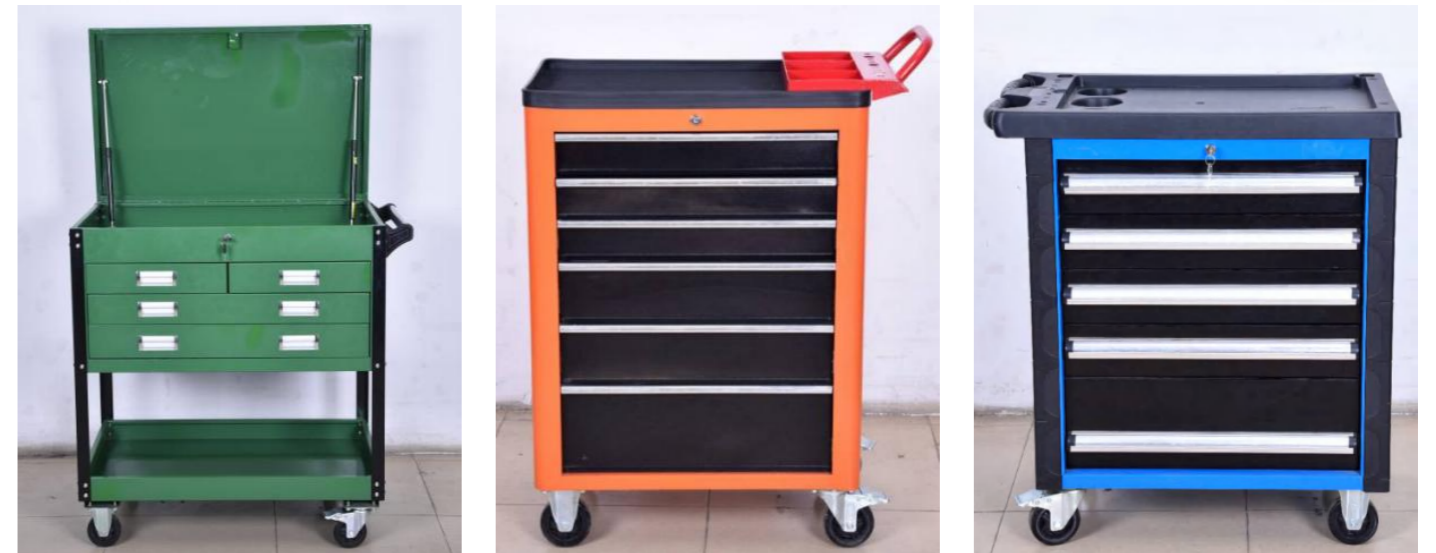
Station Equipment 工位器具

TOOL TROLLEY

◎ 工具车

Tool Trolley Standard Size Sheet  
工具车常规尺寸表

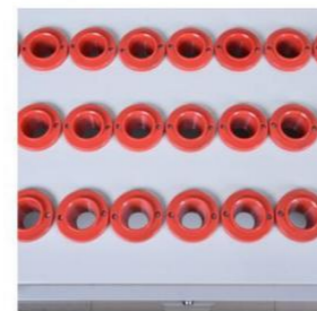
Name 名称	Specifications(mm)			Drawer QTY/pcs 抽屉数量	Drawer's Load Capacity KGS/抽屉承载
	Width 深度	Depth 宽度	Height 高度 (Including the height of the feet)		
Tool Trolley 工具车	600	545	730/810/810/890	4/4/5/4	50/90
	600	545	890/970/1250	5/6/10	50/90
	760	705	730/730/810/810	3/4/4/5	50/150
	760	705	890/970/1250	5/5/7	50/150
	1000	545	890	① 2*100, 2*200mm drawer & 2 pcs panel /drawer; ② 5*120mm drawers & 1 door & 1 adjust. panel.	50/90
Remarks 备注	1.Material: High-quality cold-rolled steel Q235B (SS400); 2.Surface treatment: Degreasing, derusting and powder coating finish; 3.Color: Standard blue, orange and customized colors available. 1、材质：优质冷轧钢板 Q235B(SS400)； 2、表面处理：除油、除锈、静电喷塑； 3、颜色：蓝色、橙色，其他颜色可定制。				



tool cart



handle



tool tray

CNC tool trolley  
刀具架



## Station Equipment 工位器具

## WORKBENCH

## ◎ 工作台

## Product Features:

- Sturdy table frame with a load capacity up to 1000kg.
- A variety of desktops available: 50mm composite desktop, laminate desktop, beech desktop, stainless steel desktop, fireproof desktop, metal desktop, to meet different application requirements.
- Power sockets are installed on the table legs for convenient operation.
- A wide range of standard accessories: hanging panel, tool cabinet, lamp, vise, etc., to meet various working requirements.

## 产品特性:

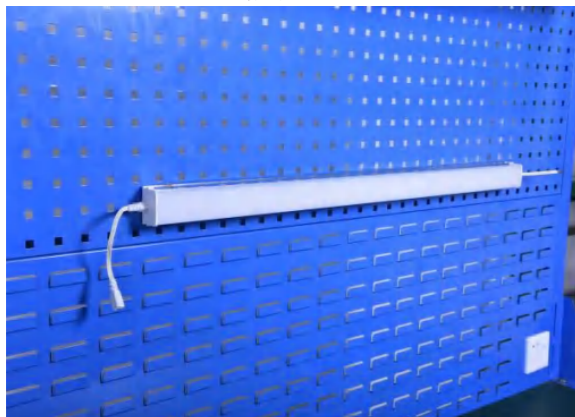
- 坚固的桌体框架，可承重1000kg。
- 多种台面可选：50mm复合台面、高压合成板台面、榉木台面、不锈钢台面、防火台面、钢制台面，配合不同的使用要求。
- 桌腿配置电源插座，方便进行作业。
- 多种标准附件：挂板、工具柜、灯具、台钳等满足各种作业要求。



Socket  
插座



4 drawers cabinet  
4抽柜体



Hanging panel  
挂板



Desktop  
桌面



Station Equipment 工位器具

WORKBENCH

◎工作台

Workbench Standard Size Sheet  
工作台常规尺寸表

Name 名称	Specifications(mm)			Drawer QTY/pcs 抽屉数量	Drawer's Load Capacity/KGS 抽屉承载	Remarks 备注
	Width 宽度	Depth 深度	Height 高度 (Including the height of the feet)			
Workbench 工作台	1500	750	800	Drawer: 2*100mm / 3*100mm	50/90/150	Material: high quality cold-rolled steel Q235B (SS400). 材质: 优质冷轧钢板 Q235B (SS400)。
	1800	750	800	Drawer: 2*2*100mm / 2*3*100mm	50/90/150	
	2100	750	800	Drawer: 3*200mm / 5*120mm	50/90/150	
	1500	750	800	Drawer: 2*120mm, 1*160mm, 1*200mm	50/90/150	
	1800	750	800	Drawer: 2*100mm, door:1 door	50/90/150	
	2100	750	800	Drawer: 2*2*120mm, door:2 door	50/90/150	
Workbench with hanging panel 挂板工作台	1500	750	800 (+900)	Drawer: 2*120mm, 1*160mm, 1*200mm; hanging panel: 2*450mm	50/90/150	
	1800	750	800 (+900)		50/90/150	
	2100	750	800 (+900)		50/90/150	



Socket  
插座



Caster  
脚轮



Foot pedal lever  
脚踏控制杆



Desktop  
桌面



Liftable workbench  
可升降工作台



Liftable workbench  
可升降工作台

Station Equipment 工位器具

# STORAGE CABINET

## ◎ 置物柜

**Product Features:**

- Fully enclosed metal structure, specially designed for heavy-duty storage. Reinforced bottom beams with adjustable leveling feet ensure stability and durability.
- Suitable for warehouses, workshops and office areas. Can store tools, measuring instruments, spare parts, equipment and drawings.
- Compatible with component boxes, hanging panels and drawers to enhance storage capacity and achieve unified management of items.
- Multiple units can be combined as workshop partitions, serving dual purposes of space division and storage.
- The shelves are hung on the side beams, with heights adjustable according to needs.

**产品特点**

- 全封闭金属结构，专为重型储物设计，底梁加固，搭配可调整脚杯，稳固耐用。
- 适用于仓库、车间、办公区域，可存放工具、量具、仪器、零配件及图纸。
- 可搭配零件盒、挂板、抽屉使用，强化存储功能，实现物品统一管理。
- 多组柜体可组合作为车间隔断，兼具空间分隔与储物双重功能。
- 层板挂接于侧梁，高度可根据需求自由调节。



## Storage Cabinet Standard Size Sheet 置物柜常规尺寸表

Name 名称	Specifications(mm)			Drawer/Door/shelf QTY (pcs) 抽屉/门/层板数量	Drawer's/ shelf's Load Capacity (KGS) 抽屉/层板承载	Remarks 备注
	Width 宽度	Depth 深度	Height 高度			
Double door storage cabinet 对开门置物柜	1100	600	1950	3 adjust. shelf / 4 adjust panel / 2 adjust. shelf with 3+1 adjust. decking	50/90/150	1. Material: high quality cold-rolled steel Q235B (SS400); 2. Surface treatment: Degreasing, derusting and powder coating finish; 3. Color: standard blue and customized available.  1. 材料: 优质冷轧钢 Q235B (SS400); 2. 表面处理: 脱脂、除锈及粉末涂层处理; 3. 颜色: 标准蓝色, 可定制其他颜色。
	1100	600	1200	2 adjust decking	50/90/150	
Drawer storage cabinet 抽屉式置物柜	1100	600	1950	Bottom / Middle drawer: 2*100mm / 3*100mm / (2*100)mm ; decking: 2 adjust. shelf / 3 adjust. shelf / 2*2 adjust. shelf	50/90/150	
Hanging panel storage cabinet 挂板壁柜	1100	600	1950	3+5 adjust panel ; 2 L hanging panel	50/90/150	
				2+2 adjust decking; 2 S hanging panel ; 1 S hanging panel in back	50/90/150	
				Middle drawer : 2*100mm 2 L hanging panel ; 1+1 adjust decking	50/90/150	
				Bottom drawer: 100mm; 2 L hanging panel; 5+1 adjust decking	50/90/150	



## MATERIAL SORTING RACK

### ◎ 物料整理架

#### Product Features:

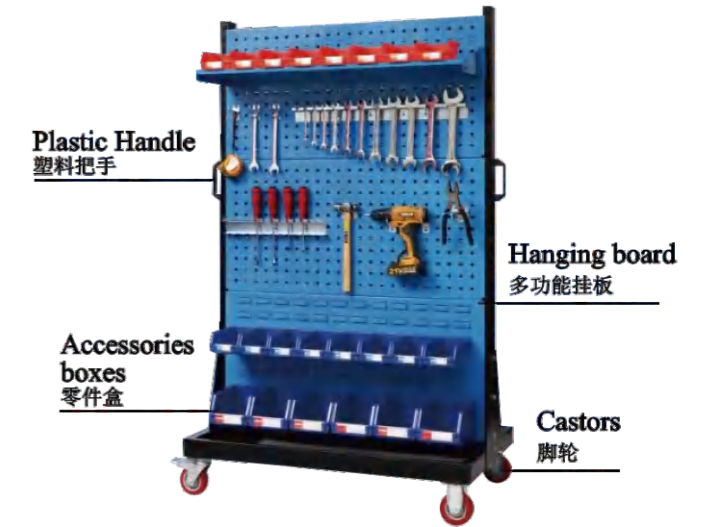
- The material sorting rack adopts the 5S management concept, equipped with multi-color and multi-specification back-hanging component boxes and multi-purpose square-hole hooks.
- Suitable for the storage and transportation of small-quantity, diverse small tools, parts, and special-shaped items.
- It can effectively improve efficiency and profitability in material picking, mobile operations, equipment assembly and maintenance.

#### 产品特点:

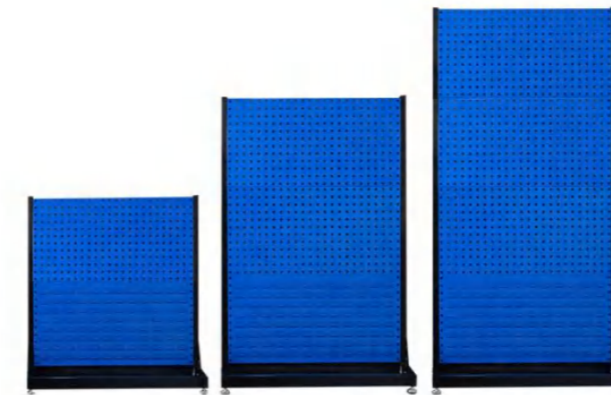
- 物料整理架采用5S 管理理念，搭配多色多规格背挂式零件盒及多功能方孔挂钩。
- 适合少量多样的小型物料工具、零件及异形物品的存储搬运。
- 可广泛应用于物料拣选、移动作业、设备组装与维修等环节，有效提升效率、增加效益。



Double-sided fixed  
双面固定



Double-sided moved  
双面移动



Single-sided fixed  
单面固定



Single-sided moved  
单面移动



Station Equipment 工位器具

STEEL FILE CABINET

◎ 钢制文件柜

Steel File Cabinet Standard Size Sheet  
钢制文件柜常规尺寸表

Name 名称	Specifications(mm)			Drawer/Door QTY pcs 抽屉/门/数量	Drawer's Load Capacity(KGS) 抽屉承载	Remarks 备注
	Width 宽度	Depth 深度	Height 高度			
Steel File Cabinet 钢制档案柜	460	600	700/1000/1300	Drawers:2/3/4	50/90/150	1. Material: High quality cold-rolled steel Q235B (SS400); 2. Surface treatment: Degreasing, derusting and powder-coated paint finish; 3. Color: Standard off-white, customized colors available.
	460	400	900/1060	Drawers:6/7	50/90/150	
	900	400	740/1060	Doors:4/6	50/90/150	
	900/960	410/300	1800/2000	Doors:8/10	50/90/150	
	900	400/410	1060/1800	Doors:2/4	50/90/150	
	1140	410	900	Doors: 2/6	50/90/150	
Steel Locker Cabinet 钢制更衣柜	980	480	1800/1900	Doors: 3/4/6/8	50/90/150	1. 材质: 优质冷轧钢板Q235B(SS400); 2. 表面处理: 脱脂、除锈、静电喷塑; 3. 颜色: 标准灰白色, 可定制颜色。
Steel Storage Cabinet 钢制储物柜	980	410	1900	Doors: 9/15/18/24	50/90/150	



# WIRE MESH STORAGE CAGE

## ◎ 仓储笼

### Product Features:

- Foldable structure ,saving space effectively.
- Can be stacked up to four layers high to realize three-dimensional storage.
- Compatible with forklifts, lifts, cranes and other equipment for efficient operation.
- Surface treatment: galvanized or powder coated.
- Size can be customized.

### 产品特性:

- 折叠式结构，有效节省空间。
- 可互相堆叠至四层高，实现立体化存储。
- 可配合叉车、升降机、吊车等设备，实现高效作业。
- 表面处理可选择镀锌或喷涂。
- 尺寸可定制。



Wire Mesh Storage Cage Standard Size  
仓储笼常规尺寸表

Name 名称	Specifications(mm) 参数(mm)			Wire Diameter (mm) 线径	Mesh size (mm) 网目	Load Capacity (KGS) 承载
	Length 长度	Width 宽度	Height 高度 (Including the height of the feet)			
Wire mesh storage cage 仓储笼	800	600	640	5.8/5.6/ 5.3/4.8	50*50/ 50*100	800/600/ 400/200
	1000	800	840			1200/1000/ 600/300
	1200	1000	890			1500/1300/ 1000/600/300
	1000	800	500			800/600/ 400/200



Logistic Equipment 物流器具

# STEEL MATERIAL CONTAINER

## ◎ 钢制料箱

**Product Features:**

- Steel material containers are available in folding type and fixed type.
- Particularly suitable for irregular and heavy items, widely used in automotive parts manufacturing, machinery and hardware processing industries.
- It has the characteristics of being turnable, stackable, storeable, and recyclable.

**产品特性:**

- 钢制料箱分为折叠式和固定式两种类型。
- 特别适用于形体不规则、偏重型的物品，如汽车及配件制造业，机械五金加工业。
- 具有可周转，可堆垛，可储存，可循环利用等特点。



## Steel Material Container Standard Size 钢制料箱常规尺寸

Name 名称	Specifications(mm) 参数(mm)			Stacking layer 堆垛层数	Load Capacity (KGS) 承载	Surface Treatment 表面处理
	Length 长度	Width 宽度	Height 高度 (Including the height of the feet)			
Steel Material Container 钢制料箱	800	500	600	4-6	800	Powder Coating Finish/ Galvanized 粉末喷涂/镀锌
	1000/1100	1000/1100	600		1500	
	1200	1000	600		1500	
	1000	800	850		1500	
	800	600	650		800	
	1100	1100	900		1000	
	1200	1000	900		1000	



Logistic Equipment 物流器具

# FOLDING LOGISTICS TROLLEY

## ◎ 折叠式物流周转车

**Product Features:**

- Goods can be stored by classification for easy management.
- Compatible with turnover boxes to facilitate goods distribution.
- Foldable for space-saving storage.
- Made of high-quality steel for exceptional durability.

**产品特性:**

- 货物可分类存放，易于管理。
- 配合周转箱使用，方便货物配送。
- 可折叠堆放，节省空间。
- 采用优质钢材制作，坚固耐用、不易损坏。



## Folding Logistics Trolley Standard Size Sheet 折叠式物流周转车常规尺寸表

Name 名称	Specifications(mm) 参数(mm)			Load Capacity (KGS) 承载
	Length 长度	Depth 宽度	Height 高度	
Folding Logistics Trolley 折叠式物流周转车	800	600	1700	500
	850	650		
	1100	800		
	750	900		
	860	725		



安全护杆  
Security protect bar



活动夹片  
Adjustment clamp



活动底板  
Adjustment bottom panel



标识铭牌  
Nameplate



脚轮  
Castor

Logistic Equipment 物流器具

# STACKING FRAME

## ◎ 堆垛架

**Product Features:**

- Enables multi-layer stacking of goods to make full use of space.
- Goods can be stored directly without additional pallets, facilitating forklift handling.

**产品特性:**

- 可实现货物多层叠放，充分利用空间。
- 货物可直接存储，无需另加托盘，方便叉车搬运。



## Stacking Frame Standard Size 堆垛架常规尺寸

Name 名称	Specifications(mm) 参数			Stacking layer 堆垛层数	Load Capacity (KGS) 承载	Surface Treatment 表面处理
	Length 长度	Width 宽度	Height 高度 (Including the height of the feet)			
Stacking Frame 堆垛架	1200	1000/1100/1200	1500	5	600-1000	Powder Coating finish/ Galvanized 粉末喷涂/镀锌
	1250	1200/1400	1500	5/4		
	1300	1100	1500	4		
	1400	1200	1450	4		
	1500	1250	1300	4		
	1600	1320	1400	4		



Logistic Equipment 物流器具

STACKING FRAME

◎ 堆垛架



高质量巧固架，多型号选择

堆垛架易于拆卸，使用方便、可互相堆垛，仓库利用率高，存放货物一目了然，易于库存货物的清点。  
*Stack frame is easy disassembly, easy to use each other stacking, storage utilization, and high storage of goods at a glance, easy-to-stock inventory of the goods;*

ACCESSORY BOX

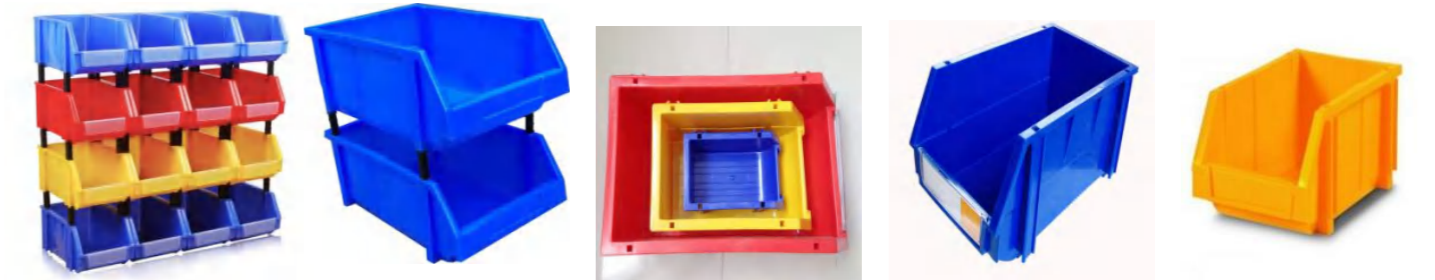
◎ 零件盒

Accessory box Standard Size  
零件盒常规尺寸

Name 名称	Specifications(mm) 参数(mm)			Color 颜色
	Length 长度	Width 宽度	Height 高度	
Stackable accessory box 组立式零件盒	180	120	80	Blue/Yellow/Red 蓝色/黄色/红色
	250	150	120	
	350	200	150	
	400	250	160	
	470	300	180	
	520	350	190	
	640	400	220	
	620	400	220	
Mounted accessory box 背挂式零件盒	135	105	76	
	200	130	110	
	276	139/213/279	128/128/178	
	377	213/422	178	



Mounted accessory box 背挂式零件盒



Stackable accessory box 组立式零件盒

Logistic Equipment 物流器具

## TURNOVER BOX

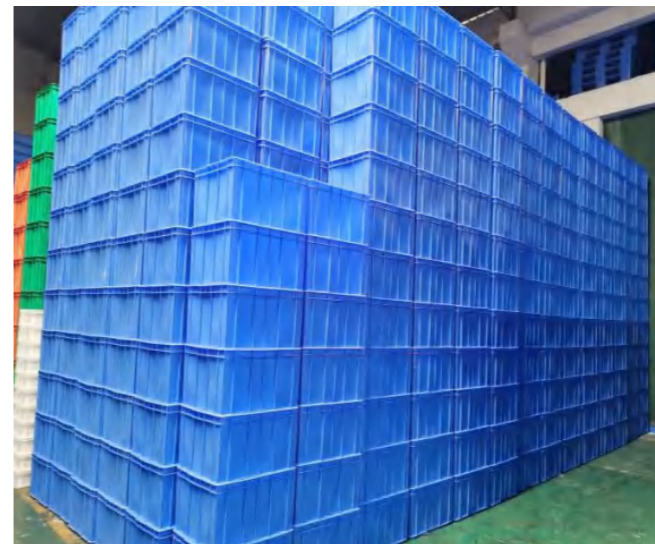
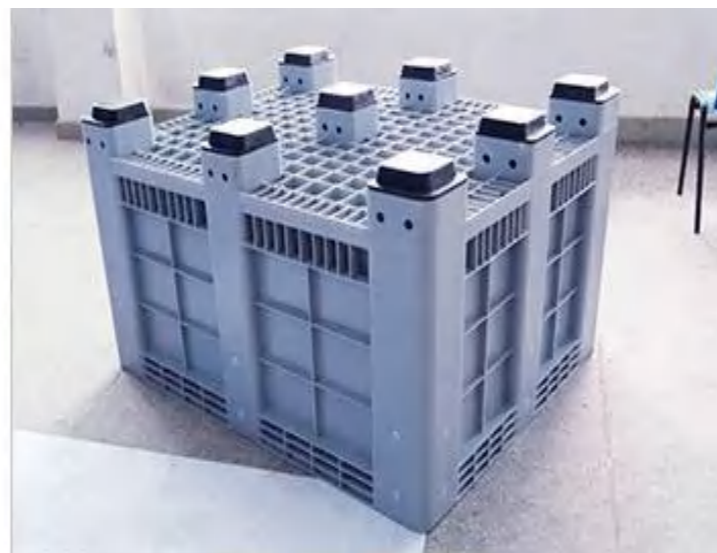
### ◎ 周转箱

#### Product Features:

- Turnover boxes can be used for transportation, storage and distribution.
- Product material: Impact-resistant PE.
- The bottom is designed with reinforcing ribs for a more stable structure.
- Widely used in breeding, food processing, medicine, clothing storage, electronics and other industries.

#### 产品特性:

- 周转箱可用于运输，储存及配送周转。
- 产品材质：抗冲PE（聚乙烯）。
- 底部采用加强筋设计，结构更稳定。
- 广泛应用于养殖、食品加工、医药、服装收纳、电子等各类行业。



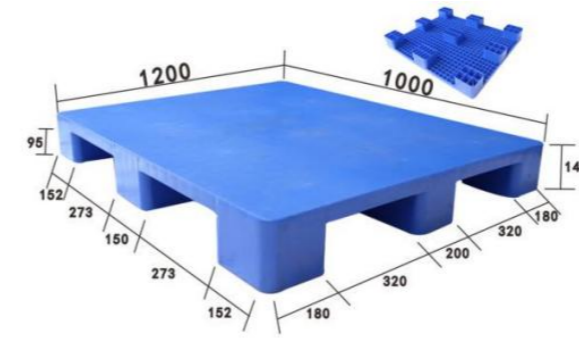
Logistic Equipment 物流器具

PLASTIC PALLET

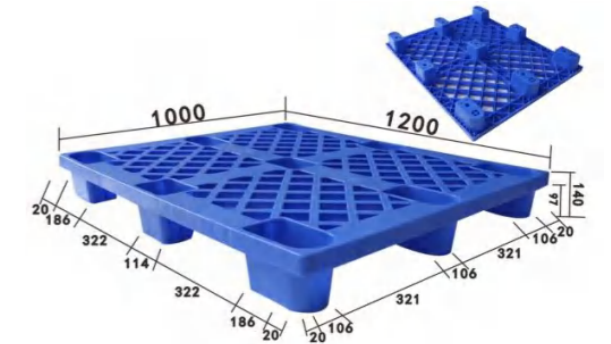
◎ 塑料托盘

Plastic Pallet Standard Size  
塑料托盘常规尺寸

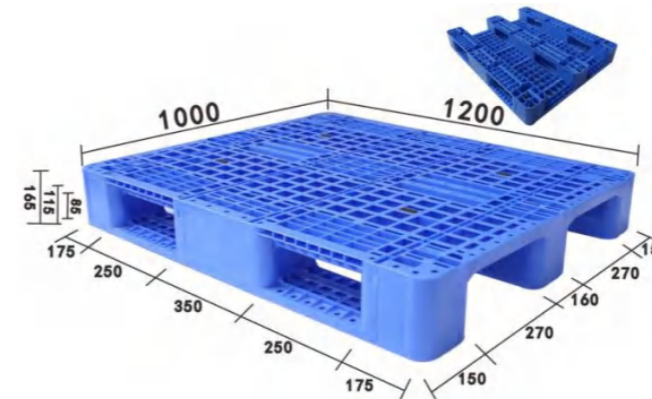
Picture 图片	Item No. 型号	Name 名称	Specification (L*W*H) 规格	Static Loading 静载	Dynamic Loading 动载	Racking Loading 上货架	Entry Type 进叉	Applicable Forklift 适用型叉车	
	GNF1280	Grid Nine Feet Type 网格九脚型	1200*800*145	2T	0.6T	-	四向进叉 4-way	Forklift、 Hand Pallet Trucks 叉车、 手动液压车	
	GNF1111		1100*1100*145		0.6~0.8T				
	GNF1210		1200*1000*145		0.5~1T				
	GQFT1208	Grid "川" Font Type 网格川字型	1200*800*150	3~5T	1~2T	1T	Forklift 叉车		
	GQFT1111		1100*1100*150						
	GQFT1210		1200*1000*150						
	GQFT1211		1200*1100*150						
	GQFT1311		1300*1100*150						
	GTFT1210	Grid "田" Font Type 网格田字型	1200*1000*150	3~5T	0.8~1.2T	1T			Forklift 叉车
	GTFT1111		1100*1100*150						
	GTFT1311		1300*1100*150					5T	
	GDST1111	Grid Double Side Type 网格双面型	1100*1100*150	6T	2T	1.5T		Forklift、 Hand Pallet Trucks 叉车、 手动液压车	
	GDST1210		1200*1000*150						
	GDST1212		1200*1200*150						
	FQFT1010	Flat "川" Font Type 平板川字型	1000*1000*150	5T	1.5T	1T	Forklift 叉车		
	FQFT1111		1100*1100*150						
	FQFT1210		1200*1000*150						
	FDST1010	Flat Double Side Type 平板双面型	1000*1000*150	5T	1.5T	1T			Forklift 叉车
	FDST1111		1100*1100*150						
	FDST1210		1200*1000*150						



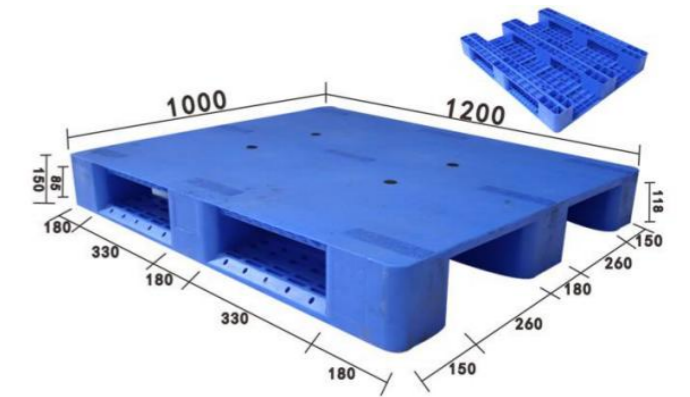
Flat Nine Feet Type  
平板九脚型1210-140



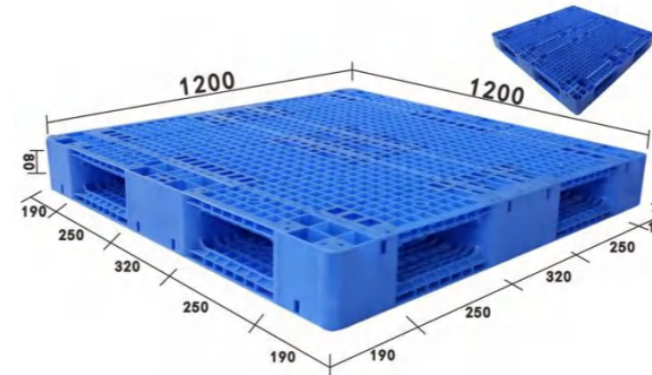
Grid Nine Feet Type  
网格九脚型1210-140



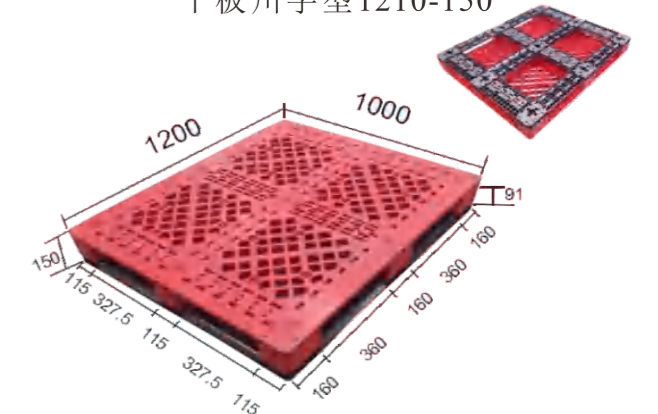
Grid "川" Type  
网格川字型1210-165



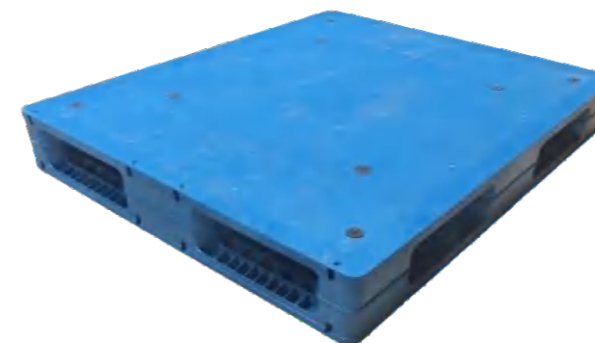
Flat "川" Type  
平板川字型1210-150



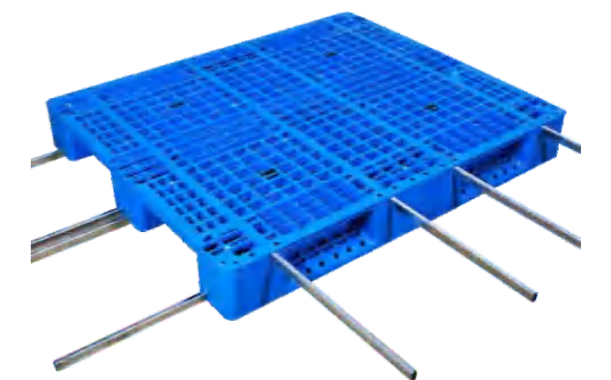
Grid Double Side Type  
网格双面型1212-150



Grid "田" Type  
网格田字型1210-150



Flat Double Side Type  
双面平板型



Logistic Equipment 物流器具

STEEL PALLET

◎ 钢制托盘

Steel Pallet Standard Size  
钢制托盘常规尺寸

Name 名称	Specifications(mm) 参数(mm)			Dynamic load(KGS) 动载	Static load (KGS) 静载	Rack (KGS) 上货架承载	Surface treatment 表面处理
	Length 长度	Depth 宽度	Height 高度				
Steel Pallet 钢托盘	1200	1200	125	1200-1500	4000	1200	Powder coating finish/ Galvanized 表面喷涂/镀锌
	1200	1000	125	1500-2000	4000	1500	
	1100	1100	125	1500-2000	3500	1500	
	1200	1200	140	1200-1500	3500	1500	
	1200	1000	145	1200-1500	3500	1500	



Logistic Equipment 物流器具

WOODEN PALLET

◎ 木托盘

Wooden Pallet Standard Size  
木托盘常规尺寸

Name 名称	Specifications(mm) 参数(mm)			Dynamic load (KGS) 动载	Static load (KGS) 静载
	Length 长度	Depth 宽度	Height 高度		
Wooden Pallet 木托盘	1200	800	144	1500	3000
	1200	1000	144	1500	
	1200	1000	120	1200	
	1140	1140	148	1500	
	1200	1000	155	3000	5000



Transport Equipment 搬运设备

TROLLEY

◎手推车

- Suitable for on-site production operations, material storage and handling.
- Customizable in any style and specification.
- 适用于生产现场作业及物料的储存与搬运。
- 可按任意款式及规格订制。

Trolley Standard Size Sheet  
手推车常规尺寸表

Name 名称	W*D*H 长*宽*高	Casters 脚轮	Load Capacity 承载 (KGS)	Remarks 备注
Assemble trolley 组装手推车	1095*575*1135	2 swivel casters with brakes + 2 rigid casters  2个带刹车的万 向轮和2个定向轮	500	1. Material: high quality cold rolling steel Q235B (SS400); 2. Surface treatment: deoil, derusting and powder coating finish.  1. 材料: 优质冷轧钢 Q235B(SS400); 2. 表面处理: 脱油、除 锈和粉末涂层处理。
	1010*498*1286		180	
	1425*525*1490		500	
	1290*510*840		150	
Noiseless trolley 静音手推车	730*490*890	2个带刹车的万 向轮和2个定向轮	150	1. 材料: 优质冷轧钢 Q235B(SS400); 2. 表面处理: 脱油、除 锈和粉末涂层处理。
	825*500*860/890		200	
	910*600*890/920		300	



Transport Equipment搬运设备

# MANUEL PALLET TRUCK

## ◎手动搬运车

### Product Features:

• It is an ideal choice for manual handling of goods in various supermarkets, warehouses, and factories.

• The material is made of reinforced steel, which is sturdy, durable, and has a delicate and beautiful appearance.

• The German standard WAGNER spraying system ensures the best spraying quality. All rotating shafts are lubricated to ensure good operability and easy steering. The composite sleeve and chrome plated shaft ensure quiet and smooth lifting and walking, resulting in a long service life.

- 手动搬运车是各种超市、仓库和工厂短距离手动搬运货物的理想选择。
- 材料选用加强型钢材，坚固耐用，外形精致美观。搭配德国标准WAGNER喷涂系统，确保出色的喷涂质量与持久防护。
- 所有转轴均经过润滑处理，操作顺畅、转向轻便；复合套与镀铬轴设计，让起升与行走更安静平稳，有效延长使用寿命。



AC series

1. Load: 2000/2500/3000kgs.
2. Max fork height: 200/190mm.
3. Fork dimensions (outer width \* length): 160\*50/160\*60mm.
4. Overall fork width: 450/520/540/685mm.
5. Fork length: 800/900/1000/1100/1150/1220mm.
6. Wheels: PU wheels / Nylon wheels.



称重搬运车  
Electronic Weighing Pallet Truck

1. Load capacity: 2000kgs.
2. Min. graduation: 1kg.
3. Overall fork width: 570mm.
4. Min. fork height: 90mm.
5. Wheels: PU wheels / Nylon wheels.
6. With zero calibration, tare weighing, net/gross weighing and cumulative weighing functions.

# SEMI-ELECTRIC STACKER

## ◎半电动堆高车

Characteristics 特性	Model 型号	SPN
	Drive Type 驱动方式	Manual 手动
	Operation Type 驾驶方式	Walk-behind 步行式
	Rated Load Capacity 额定承载能力	1.5t
	Load Center Distance 载荷中心距	600mm
Weight 重量	Weight (including battery) 重量(包括蓄电池)	570kg
	Wheels 车轮	PU wheel
Size 尺寸	Retracted height of the mast 门架缩回高度	2280mm
	Lift Height 提升高度	3500mm
	Maximum Mast Height 作业时门架最大高度	4020mm
	Lowered Lifting Height 货叉最低高度	95mm
	Overall Length 总体长度	1720/1580mm
	Fork Surface to Front Distance 货叉表面至前部距离	610/670mm
	Overall Width 总体宽度	777mm
	Fork Dimensions 货叉尺寸	60/480/1150mm
	Fork width 货叉外宽	330-640mm
	Working Aisle Width for 1000*1200 Pallet 工作通道宽度 1000*1200托盘	2255mm
	Working Aisle Width for 800*1200 Pallet 工作通道宽度 800*1200托盘	2212mm
	Turning Radius 转弯半径	1400mm
Performance 性能	Lift Speed (Full Load/No Load) 提升速度 满载/空载	65/100mm/s
	Descent Speed (Full Load/No Load) 下降速度 满载/空载	85/70mm/s
	Parking Brake 驻车制动	Manual 手动
Motor 电机	Battery weight 电池重量	45kg
	Lift Motor Power 提升电机功率	1.5 kW



Reinforced Fork  
加固货叉



Rubber-coated handle  
包胶手柄

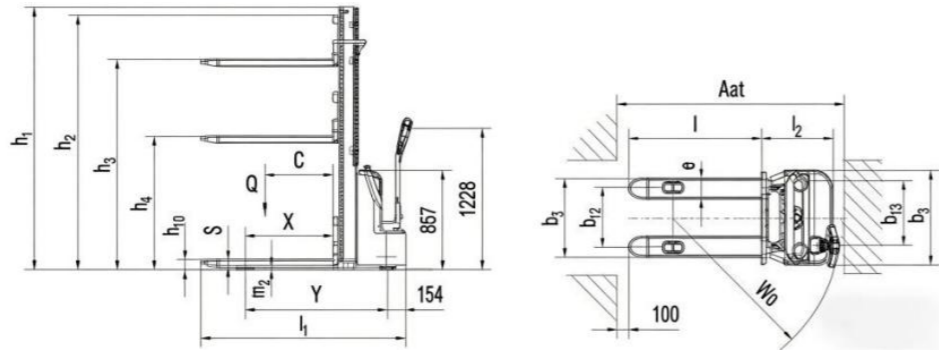


Mechanical Brake Device  
机械刹车装置

Transport Equipment搬运设备

WALK-BEHIND ELECTRIC STACKER

◎ 步行式电动堆高车



Characteristics 特性	Model 型号	PSL 1.5t
	Drive Type 驱动方式	Electric 电动
	Operation Type 驾驶方式	Walking type 步行式
	Rated Load Capacity 额定承载能力	1.5t
	Load Center Distance 载荷中心距	600mm
	Front Overhang 前悬距	770mm
	Wheelbase 轴距	1220mm
Weight 重量	Weight (including battery) 重量(包括蓄电池)	525kg
	Axle Load at Full Load (Drive Wheel Side / Load Wheel Side) 满载时桥负荷 驱动轮侧/承重轮侧	622/1343kg
Wheels 车轮	Tires 轮胎	PU wheel 聚氨酯轮
Size 尺寸	Mast Retracted Height 门架缩回时高度	1932mm
	Lift Height 提升高度	2813mm
	Maximum Mast Height 作业时门架最大高度	3339mm
	The lowering height of the forks 货叉降低时高度	87mm
	Overall Length 总体长度	1779mm
	Overall Width 总体宽度	820mm
	Fork Dimensions 货叉尺寸	60/180/1150mm
	The distance between the forks 货叉臂间的距离	570/685mm
	Min. ground clearance 最小离地间隙	27mm
	Working Aisle Width for 1000*1200 Pallet 工作通道宽度1000*1200托盘	2324mm
Performance 性能	Travel Speed (Full Load/No Load) 行驶速度 满载/空载	4.30/4.65km/h
	Lift Speed (Full Load/No Load) 提升速度 满载/空载	0.096/0.155m/s
	Descent Speed (Full Load/No Load) 下降速度 满载/空载	1.125/0.117m/s
	Max. gradient performance (Full Load/No Load) 最大爬坡能力 满载/空载	5/10%
Turning Radius 转弯半径		1481mm

STAND-ON ELECTRIC STACKER

◎ 站驾式电动堆高车

Technical specifications  
技术参数

Characteristics 特性	Model 型号	PSE
	Drive Type 驱动方式	Electric 电动
	Operation Type 驾驶方式	Stand-on type
	Rated Load Capacity 额定承载能力	2.0t
	Load Center Distance 载荷中心距	600mm
	Front Overhang 前悬距	690mm
Weight 重量	Weight (including battery) 重量(包括蓄电池)	1310kg
	Axle Load at Full Load (Drive Wheel Side / Load Wheel Side) 满载时桥负荷 驱动轮侧/承重轮侧	1070/2240kg
Wheels 车轮	Tires 轮胎	PU wheel
Size 尺寸	Mast Retracted Height 门架缩回时高度	1955mm
	Free Lift Height 自由提升高度	/
	Lift Height 提升高度	2830mm
	Maximum Mast Height 作业时门架最大高度	3370mm
	The lowering height of the forks 货叉降低时高度	85mm
	Overall Length 总体长度	2115mm
	Length of car body 车体长度	965mm
	Overall Width 总体宽度	820mm
	Fork Dimensions 货叉尺寸	60/180/1150mm
	The distance between the forks 货叉臂间的距离	570/685mm
Performance 性能	Travel Speed (Full Load/No Load) 行驶速度 满载/空载	5.5/6.0km/h
	Lift Speed (Full Load/No Load) 提升速度 满载/空载	0.1/0.16m/s
	Descent Speed (Full Load/No Load) 下降速度 满载/空载	0.11/0.1m/s
	Max. gradient performance (Full Load/No Load) 最大爬坡能力 满载/空载	5/10%
Motor 电机	Drive Motor Power 驱动电机功率	1.6kW
	Lift Motor Power 提升电机功率	3kW



## DUAL LIFT ELECTRIC STACKER

### ◎双提升电动堆高车



AC Drive Unit:  
Speed up to 7km/h  
交流驱动装置:  
速度可高达7km/h



Handle: Quickly and accurately control the position of the steering wheel.  
手柄: 快速准确地控制转向轮位置



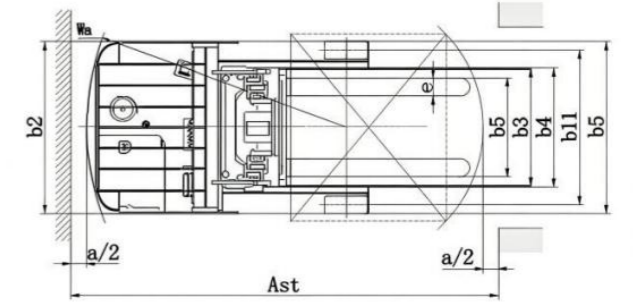
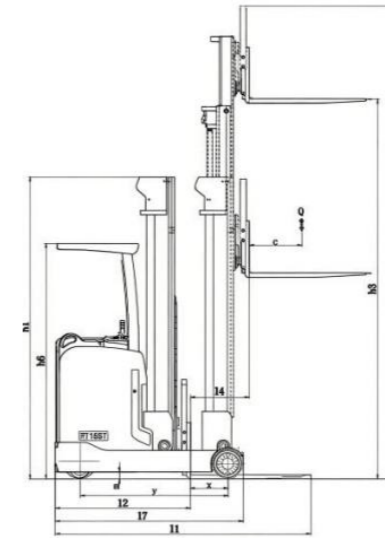
8mm thick side guard plate to ensure vehicle strength.  
8mm厚围板, 保证车体强度。

### Technical specifications/技术参数

Characteristics 特性	Model 型号	PSDN
	Drive Type 驱动方式	电动 Electric
	Rated Load Capacity 额定承载能力	1.6t
	Load Center Distance 载荷中心距	600mm
Wheels 车轮	Tires 轮胎	PU wheel
Size 尺寸	Max.Lift Height 提升高度	2900-4600mm
	Lowered Lifting Height 货叉最低高度	90mm
	Overall Width 总体宽度	790mm
	Fork Dimensions 货叉尺寸	60/180/1150mm
	Fork Width 货叉外宽	570/685mm
	Working Aisle Width for 1000*1200 Pallet 工作通道宽度 1000*1200托盘	2586mm
	Working Aisle Width for 800*1200 Pallet 工作通道宽度 800*1200托盘	2566mm
	Turning Radius 转弯半径	1700mm
Motor 电机	Battery Voltage/Capacity 蓄电池电压/容量	24/210V/Ah
	Max. gradient performance (Full Load/No Load) 最大爬坡能力 满载/空载	6/12%

## STAND-ON REACH TRUCK

### ◎站驾式前移式叉车

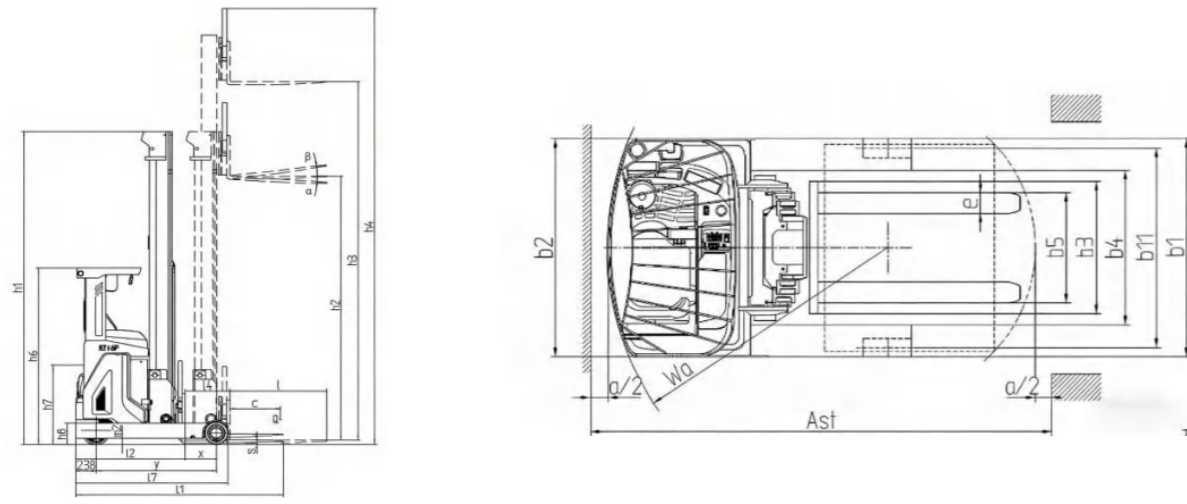


### Technical specifications/技术参数

Characteristics 特性	Model 型号	RT ST
	Drive Type 驱动方式	Electric 电动
	Operation Type 驾驶方式	Stand-on type站驾式
	Rated Load Capacity 额定承载能力	2.0t
Wheels 车轮	Load Center Distance 载荷中心距	500mm
	Tires 轮胎	PU wheel
Size 尺寸	Fork Tilt Angle Forward/Backward 货叉倾角前/后	4°/-2°
	ROPS Height 护顶架高度	2260mm
	Height with Mast Retracted 门架缩回时高度	3068mm
	Free Lift Height 自由提升高度	2397mm
	Max.Lift Height 最大提升高度	7000mm
	Max. Mast Height 作业时门架最大高度	7910mm
	Lowered Lifting Height 货叉最低高度	40mm
	Overall Length 总体长度	2410mm
	Overall Width 总体宽度	1100mm
	Fork Dimensions 货叉尺寸	40/120/1070mm
	Fork Adjustment Width 货叉调整宽度	250-730mm
	Forward Reach Distance 前移距离	580mm
	Working Aisle Width for 1000*1200 Pallet 工作通道宽度 1000*1200托盘	2830mm
	Turning Radius 转弯半径	1770mm
Motor 电机	Battery Voltage/Capacity 蓄电池电压/容量	48/350V/Ah

# SEATED REACH TRUCK

## ◎座驾式前移式叉车



### Technical specifications/技术参数

Characteristics 特性	Model 型号	RT 20B
	Drive Type 驱动方式	Electric 电动
	Operation Type 驾驶方式	Seated type 座驾式
	Rated Load Capacity 额定承载能力	2.0t
	Load Center Distance 载荷中心距	600mm
	Front Overhang 前悬距	395/200mm
	Wheelbase 轴距	1500mm
Weight 重量	Weight (including battery) 重量(包括蓄电池)	4220kg
Wheels 车轮	Tires 轮胎	PU wheel 聚氨酯轮
Size 尺寸	Mast Height 门架高度	3900mm
	Free Lift Height 自由提升高度	3290mm
	Lift Height 提升高度	9500mm
	Maximum Mast Height 作业时门架最大高度	10410mm
	Lowered Lifting Height 货叉最低高度	40mm
	Overall Length 总体长度	2488mm
	Overall Width 总体宽度	1270mm
	Fork Dimensions 货叉尺寸	40/120/1150mm
	Fork width 货叉外宽	240-740mm
	Working Aisle Width for 1000*1200 Pallet 工作通道宽度 1000*1200托盘	2840mm
	Turning Radius 转弯半径	1750mm
Performance 性能	Travel Speed (Full Load/No Load) 行驶速度 满载/空载	10.5 km/h
	Lift Speed (Full Load/No Load) 提升速度 满载/空载	0.35/0.5 m/s
	Descent Speed (Full Load/No Load) 下降速度 满载/空载	0.45m/s
	Max. gradient performance (Full Load/No Load) 最大爬坡能力 满载/空载	10/15%



Spacious driving space  
驾驶空间宽敞



Low-noise gear pump  
低噪音齿轮泵



High-elasticity shock  
absorbing seat  
高弹性减震座椅



Centralized central  
control console  
集中式中控操作台



Strong chassis structure  
底盘结构强劲



High-precision slide rail  
高精度滑轨



High-definition monitor  
高清监视器



Multi-functional color LCD  
instrument panel  
多功能彩色液晶仪表



Transport Equipment搬运设备

FORKLIFT

◎ 叉车

	Characteristics 特性	Model 型号	CPD30
		Drive Type 驱动方式	电动 Electric
		Operation Type 驾驶方式	座驾式 Seated
		Rated Load Capacity 额定承载能力	3000kg
		Load Center Distance 载荷中心距	500mm
		Front Overhang 前悬距	480mm
		Wheelbase 轴距	1760mm
	Weight 重量	Self-weight 自重	4100kg
		Axle Load at Full Load (Drive Wheel Side / Load Wheel Side) 满载时桥负荷 驱动轮侧/承重轮侧	6390/710kg
	Wheels 车轮	Tires 轮胎	充气胎 Pneumatic tire
		Front Track Width 前轮轮距	1000mm
		Rear Track Width 后轮轮距	980mm
	Size 尺寸	Mast Retracted Height 门架缩回时高度	2170mm
		Free Lift Height 自由提升高度	150mm
		Lift Height 提升高度	3000mm
		Maximum Mast Height 作业时门架最大高度	3050mm
		Seat Height 座位高度	1050mm
		Overall Length 总体长度	3870mm
		Overall Width 总体宽度	1195mm
		Fork Dimensions 货叉尺寸	1070/122/45mm
		Fork Carrier Width 货叉架宽度	1100mm
		Ground Clearance Under Mast (Full Load) 门架下方离地间隙(满载)	140mm
	Performance 性能	Working Aisle Width for 1000*1200 Pallet 工作通道宽度 1000*1200托盘	4130mm
		Working Aisle Width for 800*1200 Pallet 工作通道宽度 800*1200托盘	4330mm
		Turning Radius 转弯半径	2450mm
		Travel Speed (Full Load/No Load) 行驶速度 满载/空载	15/15 km/h
		Lift Speed (Full Load/No Load) 提升速度 满载/空载	460/480mm/s
		Descent Speed (Full Load/No Load) 下降速度 满载/空载	380/410mm/s
Max. gradient performance (Full Load/No Load) 最大爬坡能力 满载/空载		15/15%	



Intelligent LCD Display  
智能液晶显示屏



Smaller steering wheel reduces operator fatigue.  
采用直径较小方向盘，减少了操作员的疲劳强度



Cast Steering Axle for Internal Combustion Forklift  
铸造内燃叉车转向桥



Easy inspection of hydraulic oil level.  
液压油位方便检查



Full-vehicle LED lighting  
全车LED灯具



Hood opens to 80°  
机罩开启80°



Wider mast for better visibility.  
门架加宽，视野更佳



Enlarged boarding step  
增大上车踏板



Li-ion charging port  
锂电充电口



Heat sink vent cover  
散热口网罩